



UPC8171

Preliminary

PHOTOCOUPLER

4 PIN DIP PHOTOTRANSISTOR PHOTOCOUPLER

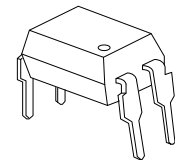
DESCRIPTION

The UTC **UPC8171** is a 4 pin DIP phototransistor photocoupler, it uses UTC's advanced technology to provide the customers with high isolation voltage between input and output, etc.

The UTC **UPC8171** is suitable for programmable controllers and telecommunication equipments, etc.

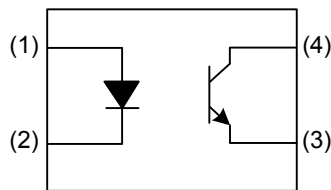
FEATURES

- * High isolation voltage between input and output
- * Creepage distance > 7.62 mm



DIP-4

SYMBOL



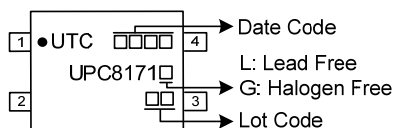
ORDERING INFORMATION

Ordering Number		Package	Pin Assignment				Packing
Lead Free	Halogen Free		1	2	3	4	
UPC8171L-D04-T	UPC8171G-D04-T	DIP-4	A	K	E	C	Tube

Note: Pin Assignment: A: Anode K: Cathode E: Emitter C: Collector

<p>UPC8171G-D04-T</p> <p>(1) Packing Type</p> <p>(2) Package Type</p> <p>(3) Green Package</p>	<p>(1) T: Tube</p> <p>(2) D04: DIP-4</p> <p>(3) G: Halogen Free and Lead Free, L: Lead Free</p>
--	---

MARKING



■ ABSOLUTE MAXIMUM RATING ($T_A=25^{\circ}\text{C}$, unless otherwise specified)

PARAMETER		SYMBOL	RATINGS	UNIT
Input	Forward Current	I_F	20	mA
	Reverse Voltage	V_R	6	V
	Power Dissipation	P_D	100	mW
	Derating Factor		1	mW/ $^{\circ}\text{C}$
Output	Power Dissipation	P_C	150	mW
	Derating Factor		1.5	mW/ $^{\circ}\text{C}$
	Collector Current	I_C	50	mA
	Collector-Emitter Voltage	V_{CEO}	350	V
	Emitter-Collector Voltage	V_{ECO}	6	V
Total Power Dissipation		P_D	200	mW
Isolation Voltage (Note 2)		V_{ISO}	5000	V _{rms}
Operating Temperature		T_{OPR}	-55 ~ +110	$^{\circ}\text{C}$
Storage Temperature		T_{STG}	-55 ~ +125	$^{\circ}\text{C}$

Notes: 1. Absolute maximum ratings are those values beyond which the device could be permanently damaged.

Absolute maximum ratings are stress ratings only and functional device operation is not implied.

2. AC for 1 minute, R.H.= 40~60% R.H. In this test, pins 1, 2 are shorted together, and pins 3, 4 are shorted together.

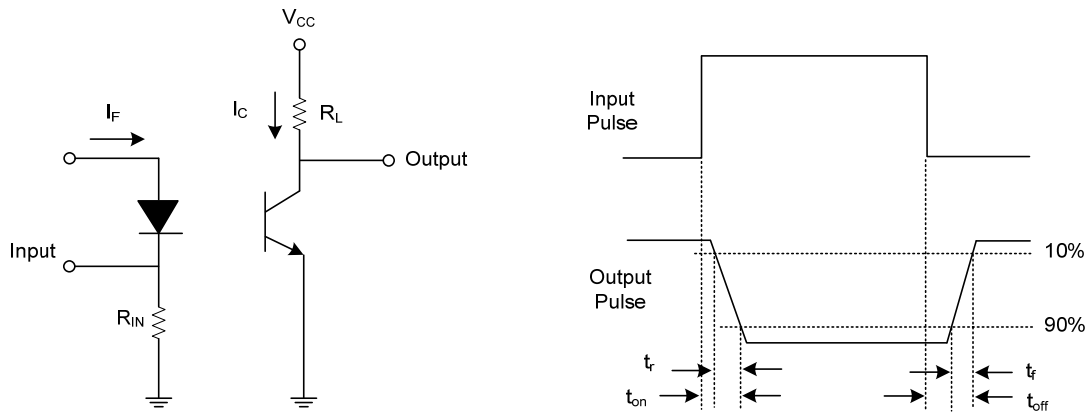
■ ELECTRICAL CHARACTERISTICS ($T_A=25^{\circ}\text{C}$, unless otherwise specified)

PARAMETER	SYMBOL	TEST CONDITIONS	MIN	TYP	MAX	UNIT
INPUT						
Forward Voltage	V_F	$I_F=20\text{mA}$		1.2	1.4	V
Reverse Current	I_R	$V_R=4\text{V}$			10	μA
Input Capacitance	C_{IN}	$V=0, f=1\text{kHz}$		30	250	pF
OUTPUT						
Collector-Emitter Dark Current	I_{CEO}	$V_{CE}=200\text{V}, I_F=0\text{mA}$			100	nA
Collector-Emitter Breakdown Voltage	BV_{CEO}	$I_C=0.1\text{mA}$	350			V
Emitter-Collector Breakdown Voltage	BV_{ECO}	$I_E=0.1\text{mA}$	6			V

■ TRANSFER CHARACTERISTICS ($T_A=25^{\circ}\text{C}$, unless otherwise specified)

PARAMETER	SYMBOL	TEST CONDITIONS	MIN	TYP	MAX	UNIT
Current Transfer Ratio	CTR	$I_F=5\text{mA}, V_{CE}=5\text{V}$	20		300	%
Collector-Emitter Saturation Voltage	$V_{CE(SAT)}$	$I_F=10\text{mA}, I_C=1\text{mA}$			0.3	V
Isolation Resistance	R_{IO}	$V_{IO}=500\text{Vdc}, 40\sim 60\% \text{ R.H.}$	5×10^9			Ω
Floating Capacitance	C_{IO}	$V_{IO}=0, f=1\text{MHz}$		0.6		pF
Cut-Off Frequency	f_c	$V_{CE}=5\text{V}, I_C=2\text{mA}, R_L=100\Omega,$ -3dB		80		kHz
Rise Time	t_R	$V_{CE}=2\text{V}, I_C=2\text{mA}, R_L=100\Omega$		2	6	μs
Fall Time	t_F			4	8	μs

■ TEST CIRCUITS AND WAVEFORMS



Switching Time Test Circuit & Waveforms

UTC assumes no responsibility for equipment failures that result from using products at values that exceed, even momentarily, rated values (such as maximum ratings, operating condition ranges, or other parameters) listed in products specifications of any and all UTC products described or contained herein. UTC products are not designed for use in life support appliances, devices or systems where malfunction of these products can be reasonably expected to result in personal injury. Reproduction in whole or in part is prohibited without the prior written consent of the copyright owner. UTC reserves the right to make changes to information published in this document, including without limitation specifications and product descriptions, at any time and without notice. This document supersedes and replaces all information supplied prior to the publication hereof.